

Trek Keepsake Paddles

A great way to commemorate a special trek or camp outing is to make keepsakes like these miniature canoe paddles.

The decorated carvings are also fun items to trade or to give away at troop social functions.

They are easy to make. Use knot-free white pine that is 1/4 inch thick, 1 3/4 inches wide and 9 inches long.

Draw the shape shown at right onto your wood with a pencil. Cut out the rough paddle using a coping saw or jigsaw.

Carefully shape the paddle with a whittling knife. Drill a small hole in the grip so you can insert a string and hang the paddle for display.

Sand the paddle's surface until smooth, and brush on one coat of

**Remember
your outings
with these
simple
carvings.**

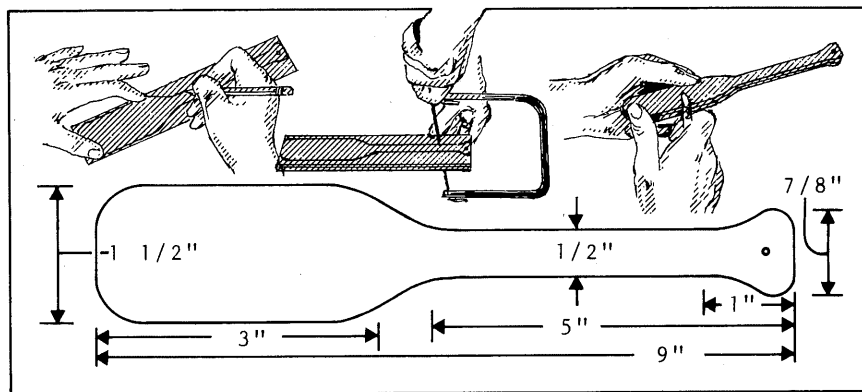


polyurethane. Let dry.

Now decorate your paddle with a patrol logo or other design. You may want to have your buddies

sign the back. Finally, apply another coat of polyurethane and hang to dry.♣

—Raymond G. Brandes



DAVID STRAND

Colorado MOUNTAIN RANCH
Fun, Friendship, Confidence—
Building Trojan Summer
Camp For Boys & Girls 6-16

Family-oriented since 1927. Rocky Mtns. viewing snow-caps. Daily choice: Western riding, horse care, heated pool, gymnastics, trampoline, archery, riflery, crafts, nature, Indian lore, high-country camping. Great camp spirit! The Walkers, Mountain Ranch, Box 711-B, Boulder, CO 80506. (303) 442-4557.

FREE INFO & GUIDE. Over 350 private boarding schools, camps & summer programs in U.S. & abroad serving children 8-18. Most visited by publisher. For 288 pg. annual guide & free referrals give child's age, grade, interests, geographical preference & entrance date. Est. 1940.
Vincent/Curtis, Rm. 292, 294 Clarendon St., Boston MA 02116

"CONTACT" FOOTBALL CAMPS
June & July, Boys 8-18 in U.S. & Can. LIVE CONTACT & SCHIMMAGES, 80 college coaches & 38 NFL pros: DRL Green, Lachey Walls, Humphries, Harbaugh, Swilling, Mann, Little, Peete, Reg. White, W. Marshal, Clark, Woodson, Byrner, Ickey Woods, Gentry, Monoz, Len Marshall, Riggs, Grimm & more. Brochure: Contact Football Camp, Dpt. Bl. 14000 N. Gate Dr., Silver Spr., MD 20906. In U.S.A. Toll Free 1-800-772-7017 CAN. 301-871-6676.
Also separate "Kick-Punt" camp with NFL Kickers & Punters

BASEBALL/BASKETBALL/SOCCER
Camps Ages 8-21. One or more wks. (Jun-Aug) 43rd year.
At Montclair State College (NJ). Separate air conditioned dormitory rooms. Pro instruction, individual attention. Night Baseball Games (Ages 8-14). PH (718) 946-9827. Write: Hall of Fame Sports Camps, 2546-B Cropsey Ave., Brooklyn, NY 11214

SCIENCE CAMP WATONKA
Boys 7-15. In the Poconos at Hawley, PA. Offering qualified instruction and laboratory work in chemistry, biology, rocketry, photography, electronics, ham radio and computer science. Other activities include: sailing, mini-bike riding, riflery, archery, windsurfing, tennis, arts and crafts, trips, etc. Private spring fed lake. American Camping Assoc. Accredited. 4 and 8 week sessions. Catalog. B. Wacker, P.O. Box 356, Paupack, Pa. 18451. • 717-857-1401.

CAMP MISHEMOKWA
BOYS & GIRLS 6-14 • BAT CAVE, N.C.
In the Blue Ridge Mountains, ACA Accred. Backpacking, Wilderness Program, Rappelling, Canoeing, River Tubing, Riding, Soccer, Tennis, Basketball, Riflery, Archery, Karate, Nature Study, Drama, Guitar, Swimming, Skating, Min. Golf, Waterslide and more. Tutoring available 2, 3, 4, 6, 8 or 9 weeks.
Dr. & Mrs. S. Smith, P.O. Box 40-B, Bat Cave, NC 28710 • (704) 625-9051 or (904) 932-9465

CAMP TIMBERLAKE
FOR BOYS
In The Blue Ridge Mountains of North Carolina
"A SUMMER OF FUN,
BUILDING CONFIDENCE AND MOTIVATION"
For brochure and information:
Spencer & Dorothy Boyd, 1229 Montreat Rd.
Black Mountain, NC 28711 (704) 669-8766

Earn Merit Badges While Having Fun!

CAMP NORTHWESTERN

BOYS 8-15—You can earn Scouting merit badges through our specialized instruction program in tennis, soccer, baseball, swimming, waterskiing, sailing, riflery, and other sports. Tutoring available in reading and math. 3-6 week sessions. \$300 per week.

Write Box B291C, 556 S. Lake Shore Drive
Lake Geneva, WI 53147
(414) 248-4465

Live the Excitement!
Summer Camp at Valley Forge

- Boys (8-15)
- Optional academic instruction
- Weekend adventure camping
- Boy Scouts and marksmanship
- Band program available
- Optional karate program
- Sports clinics
- Go Karts
- Horseback riding
- Academy faculty

Contact: Director of Admissions (Box 100)

VALLEY FORGE MILITARY ACADEMY SUMMER CAMP
Wayne, PA 19087 • (215) 688-3151

See you this Summer!!